

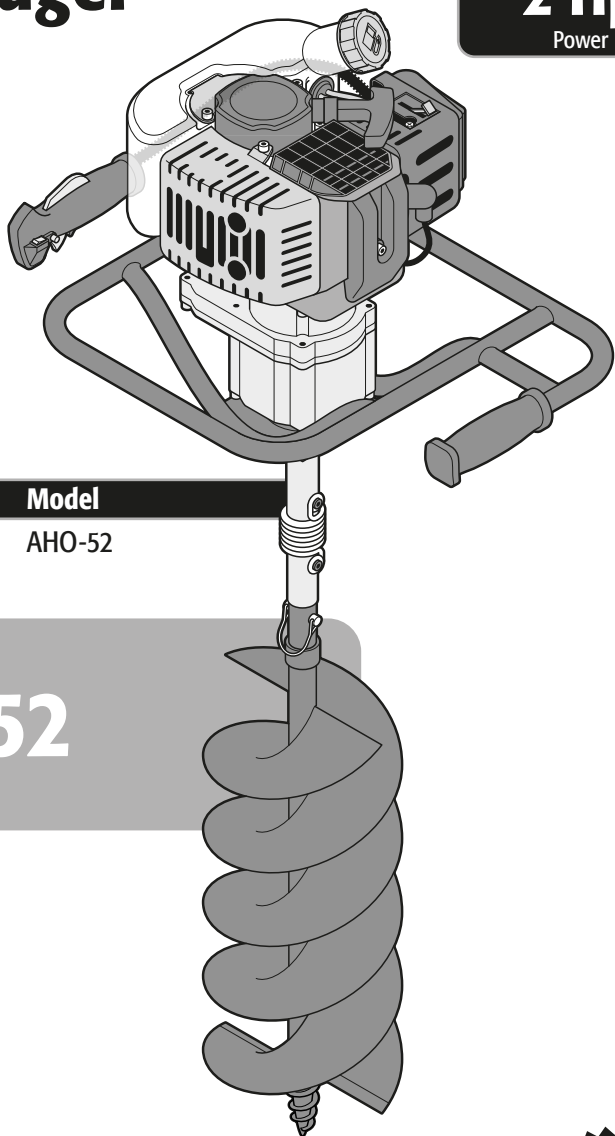
Manual

Earth auger

1 500 W

2 Hp

Power



Applies for:

| Code | Model |
|--------|--------|
| 103204 | AHO-52 |

AHO-52

 **CAUTION**



Read this manual thoroughly
before using the tool.



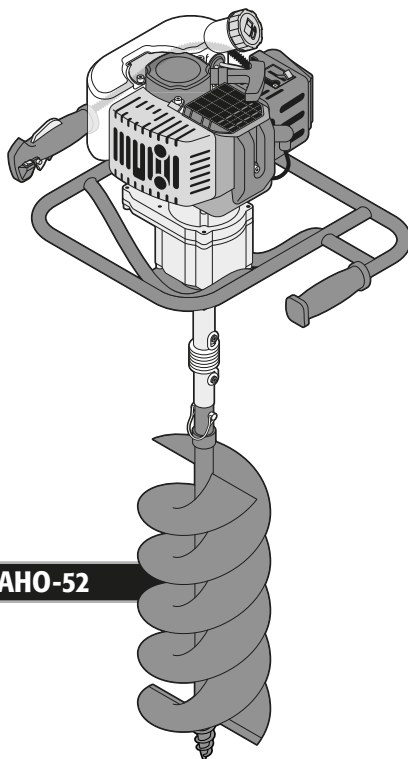
| | |
|---|-----------|
| Technical data..... | 3 |
| Fuel requirements..... | 3 |
|  General motor tool safety warnings..... | 4 |
|  Safety warnings for the use of earth augers..... | 5 |
| Parts..... | 6 |
| Assembly..... | 7 |
| Fuel supply..... | 8 |
| Start up..... | 8 |
| Operation..... | 9 |
| Maintenance..... | 10 |
| Troubleshooting..... | 11 |
| Notes..... | 12 |
| Authorized service centers..... | 13 |
| Warranty policy..... | 14 |

CAUTION

To gain the best performance of the tool, prolong the duty life, make the Warranty valid if necessary, and to avoid hazards of fatal injuries please read and understand this Manual before using the tool.

Keep this manual for future references.

The illustrations in this manual are for reference only. They might be different from the real tool.



AHO-52

| | |
|-----------------------|---|
| Code • | 103204 |
| Description • | Earth auger |
| Engine power • | 2 Hp (1 500 W) |
| Engine displacement • | 52 cm ³ (cc) |
| Fuel tank • | 1.2 L (40 oz) |
| Auger diameter • | 20 cm (8") |
| Auger length • | 55 cm (21") |
| Speed • | 7 000 RPM |
| Duty cycle • | 30 minutes of rest per tank consumed. Maximum 6 hours daily. |

Fuel requirements

- The auger has an air-cooled 2-stroke engine that uses a mixture of unleaded gasoline and high-quality self-mixing oil with a specified fuel stabilizer for air-cooled 2-stroke engines.
- The engine is certified to operate with unleaded gasoline for vehicles with an octane rating of 87 ((R+M)/2) or higher.
- Do not use any type of pre-mixed gasoline with oil purchased at gas stations, such as that intended for motorcycles.
- Do not use automotive-use oil or 2-stroke outboard motor oil.
- The mixture ratio should be 50 parts gasoline to 1 part oil (50:1 ratio). Prepare the mixture in an approved gasoline container. Always mix well before pouring it into the engine tank.

⚠ CAUTION Do not use fuel mixture stored for more than 15 days. Make the mixture in small quantities.


⚠ WARNING Never smoke near the fuel or in the area where you refuel with gasoline or prepare the oil mixture, or while operating the auger.

⚠ WARNING Any attempt to start the auger without adding oil to the fuel mixture will cause engine failure.




Use the caps** from the ACES-2, ACES-5 or ACES-20 TRUPER EXPERT oils as a measure to prepare the mixture. Mix 4 caps of oil with each fuel liter.

⚠ An incorrect use can cause the auger to misalign, leading to expensive repairs! **⚠**




Gasoline

+



4 oil caps

=



Mixture

To extend the engine's lifespan, use synthetic TRUPER EXPERT oil for two-stroke engines.

* 1 gallon = 3.78 liters

** Not included

General motor tool safety warnings

Keep your work area clean, tidy and well lit.

CAUTION Cluttered and dark areas may cause accidents.



Never use the tool in explosive areas or in the presence of flammable liquids.

DANGER Before starting the motor keep the tool at least 9 meters (30 feet) away from the fill up area.



Keep children and passersby at a safe distance while operating the tool.

WARNING Distractions could cause losing control and cause accidents.



Avoid contact with power lines and circuits.

DANGER Find and avoid power lines and circuits, especially hidden wiring as well as any grounded object.



Stay alert, use care and common sense.

CAUTION Familiarity with the tool operation could lead to distractions. It could cause accidents.

Refrain from using the tool if tired or under the influence of drugs, alcohol or medication.

DANGER Being momentarily distracted while using the tool could cause severe personal injury.

Operate the tool with guards and protection devices in place and in good working condition.

WARNING Failure to comply with this warning is a hazard of severe personal injury.

Do not force the tool.

CAUTION Working within the tool's working design assures a better and safer job.



Keep the tool in a safe place and out of the reach of children.

WARNING Motor powered tools are dangerous to inexperienced people.



Wear proper clothes.

WARNING Loose clothes, jewelry or long hair could get caught in the mobile parts.



Keep hands away from rotating and/or mobile parts.

WARNING Failure to comply with this warning is a hazard of severe personal injury.



Do not operate the tool in enclosed areas.

DANGER Avoid breathing accumulated carbon monoxide, a potentially deadly odorless toxic gas.



Wear adequate protective safety accessories.

CAUTION Wear eye protection, dust mask, non-skid safety shoes, helmet and ear plugs. These safety gears reduce the risk of injury.



Turn off the tool before adjusting, changing accessories or storing.

WARNING Double check the tool switch is in the off position.

Refrain from operating the tool if the switch is not working or is not properly assembled.

WARNING Failure to comply with this warning is a hazard of personal injury. Immediately send it to a **TRUPER** Authorized Service Center.

Do not overreach.

CAUTION Good balance and support lead to better controlling the tool in unexpected situations.

Avoid the tool to unintentionally start.

WARNING Double-check the tool motor is off before maintenance or putting it away.



Remove brackets before turning on the tool.

DANGER Additional tools or vices installed in a rotating part could cause severe personal injury.

Service the tool and double-check it is in good working conditions before operating.

CAUTION Carefully check mobile parts, alignment and assembly. Do it periodically. Look for any damaged element or part not working properly. Repair immediately in a **TRUPER** Authorized Service Center.



Accessories.

CAUTION Use only accessories or spare parts indicated in this Manual or certified by **TRUPER**.

Never leave a running tool unattended.

DANGER Turn off and disconnect the tool after using. Set it in a safe position to avoid severe injury.

Never smoke in the proximity of fuel.

DANGER Do not smoke in the proximity of the fueling area or when using the tool.



Do not touch parts with high temperatures.

The surface of the engine and the exhaust reach high temperatures during the operation of the tool.

Service and repair.

Always go to a **TRUPER** Authorized Service Center to use identical spare parts and maintain the security of the tool.





Safety warnings for the use of earth augers

TRUPER®

Fuel handling

- Never smoke near the fuel, the refueling area, the oil mixture preparation area, or when operating the tool. 
- To reduce the risk of fire or burns, handle fuel carefully. 
- Do not allow gasoline or oil to meet the skin.
- Protect your eyes to avoid splashes of gasoline and oil. In case of accidental contact, wash them immediately with clean water. If irritation persists, seek medical attention.
- Mix and store fuel in a container designed for that purpose.
- **WARNING** • Mix the fuel outdoors away from any sparks or flames.
- Before refueling the auger, turn off the engine, place it on clear ground, and wait for the engine to cool.
- **CAUTION** • Clean any spilled fuel on the auger before operating it.
- **CAUTION** • Check for fuel leaks, and if found, correct them before using the auger to prevent fires or burn injuries.
- Keep the auger at least 30 feet (9 meters) away from the fueling area before starting the engine.
- Under no circumstances burn spilled fuel to dispose of it.
- Never use any other type of fuel than that specified for the auger in this manual.

Before operating the earth auger

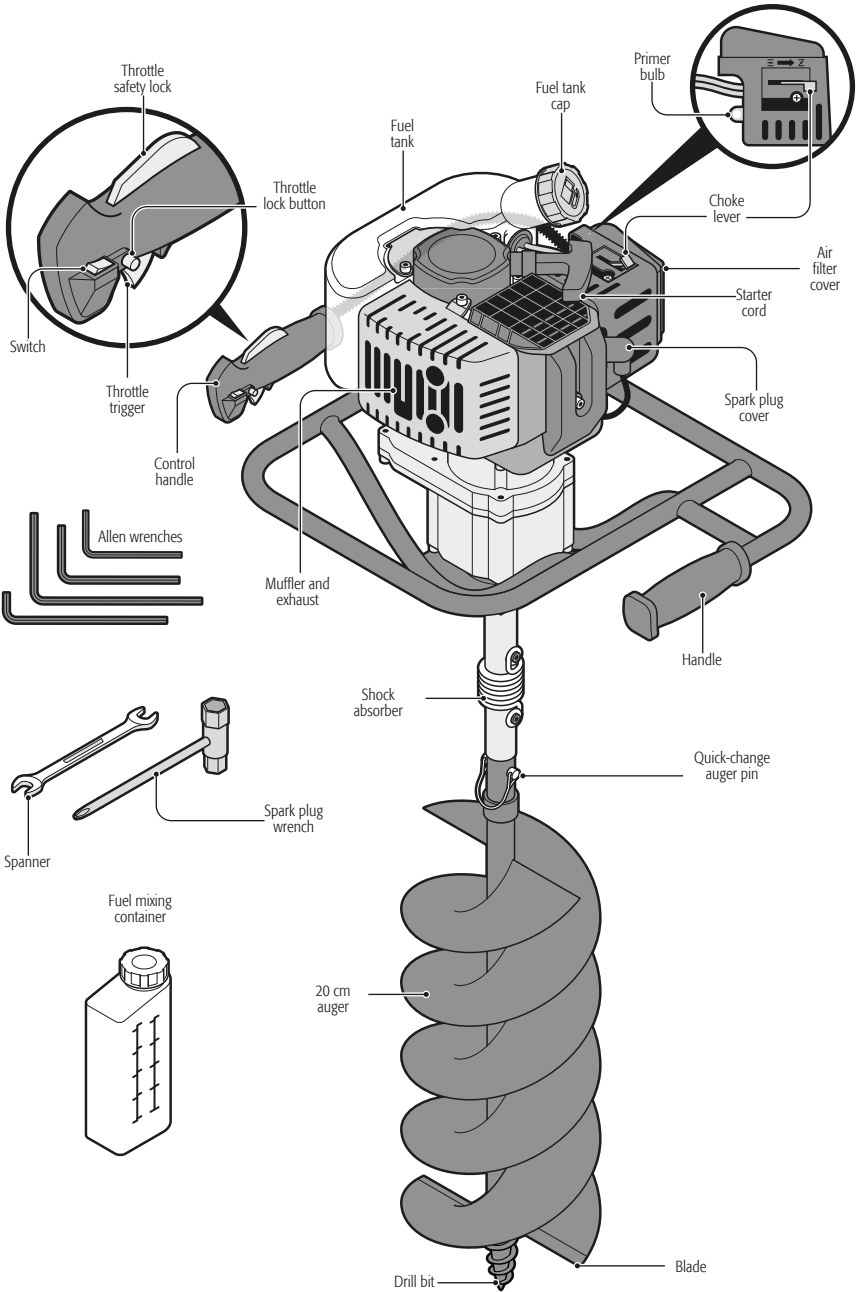
- Equip yourself with appropriate clothing for operating the auger: tight-fitting clothes, thick pants, slip-resistant safety boots, heavy-duty protective gloves, and safety glasses with side protection under ANSI Z87.1 standard.    
- **WARNING** • Remove any accessories or loose clothing that could be caught by the moving auger. Tie back hair so that it is above shoulder level.
- Ensure that the auger is in perfect condition. Do not start it if it is poorly adjusted, not fully assembled to function safely, or if the fuel tank has a leak or any loose screws.
- Ensure that the auger stops moving when releasing the throttle trigger. If it does not stop, turn off the auger and consult a **TRUPER**® Authorized Service Center to address the issue.
- Ensure that the auger is clean, dry, and free of oil or fuel.
- Ensure that the work area is open and well-ventilated.
- Check the work area and remove any stones, broken glass, nails, wire, or rope, as they could be thrown or entangled in the auger.
- In extreme temperatures, check for ice formations or condensation on the tool.
- Visibility and lighting conditions should be adequate to see clearly; otherwise, do not use the auger.
- Do not use the auger without guards or if they are damaged or missing any parts.

When operating the earth auger

- **CAUTION** • Keep pedestrians, children, and animals at least 15 meters away.
- Ensure that the auger is not in contact with any object before starting the engine.
- **WARNING** • Keep both feet firmly on the ground and both hands gripping the handles. Never operate it with one hand, as this could result in injuries to the operator and others present.
- Keep all parts of the body away from the auger when the engine is running.
- Always keep the auger pointing downward, below your waist level, and never lift it over your shoulders level.
- Keep all body parts away from the muffler, it can cause serious burns.
- Keep the auger away from flammable materials.
- Be aware of risks in your surroundings; the noise from the auger may prevent you from noticing them.

After operating the earth auger

- **WARNING** • Do not attempt to stop the rotating movement of the auger in any way other than releasing the switch. Wait for it to stop on its own after turning off the auger; this will take a few seconds.
- **CAUTION** • Always move the auger with the engine off and keep the muffler away from the body. Before loading it onto a vehicle, empty the fuel tank.
- **WARNING** • Turn off the engine before setting the auger aside. Do not leave the engine running unattended. Let it cool down before storing it.
- **CAUTION** • Service and repair of the earth auger should only be performed by highly trained personnel, seek for a **TRUPER**® Authorized Service Center.

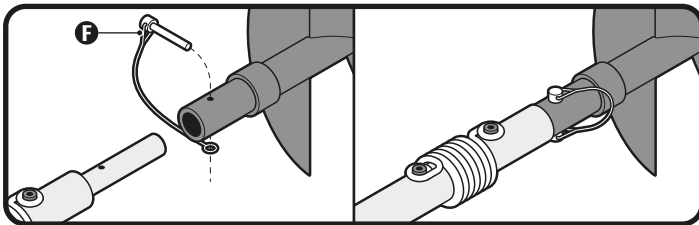
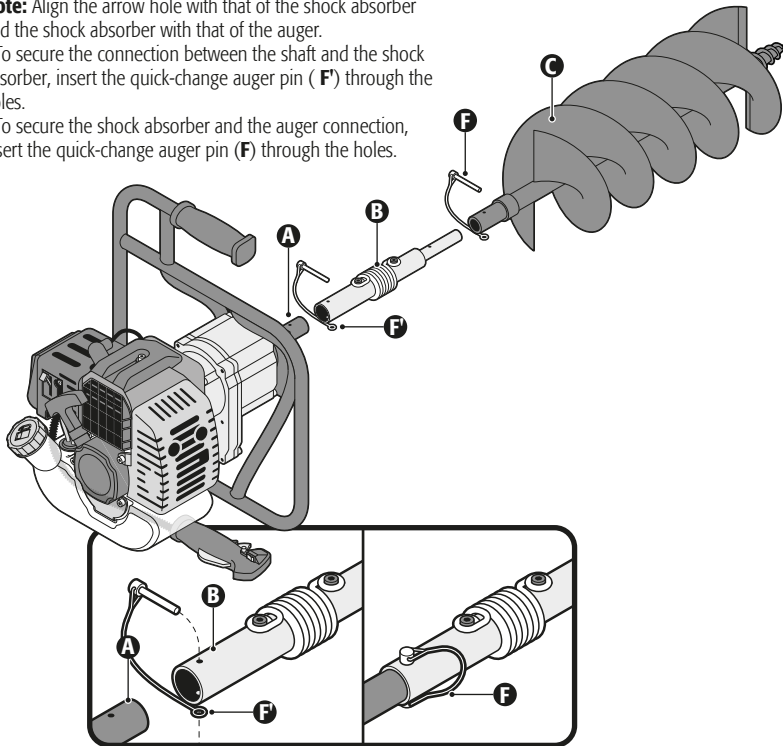


Shaft connection

- Place the equipment on the ground as shown in the image.
- Insert the shaft (A) into the shock absorber (B) and the shock absorber into the auger (C).

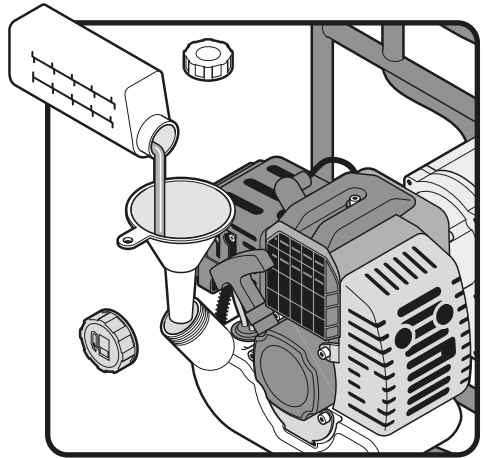
Note: Align the arrow hole with that of the shock absorber and the shock absorber with that of the auger.

- To secure the connection between the shaft and the shock absorber, insert the quick-change auger pin (F) through the holes.
- To secure the shock absorber and the auger connection, insert the quick-change auger pin (F) through the holes.




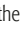
- Follow the safety guidelines for fuel handling (page 5).
- Wait for the engine to cool completely before refueling.
- Place the tool on a flat surface, leaning it as indicated in the diagram.
- Clean around the fuel tank cap to prevent contamination.
- Loosen the fuel tank cap slowly.
- Carefully pour the fuel mixture into the tank, avoiding spills. **CAUTION** Follow the fuel specifications (page 3).
- Before closing the fuel tank, check and clean the gaskets.
- Immediately replace the fuel tank cap and tighten it by hand.
- Clean any fuel spills.

CAUTION In a new engine, it is normal to have smoke emissions during and after the first use.

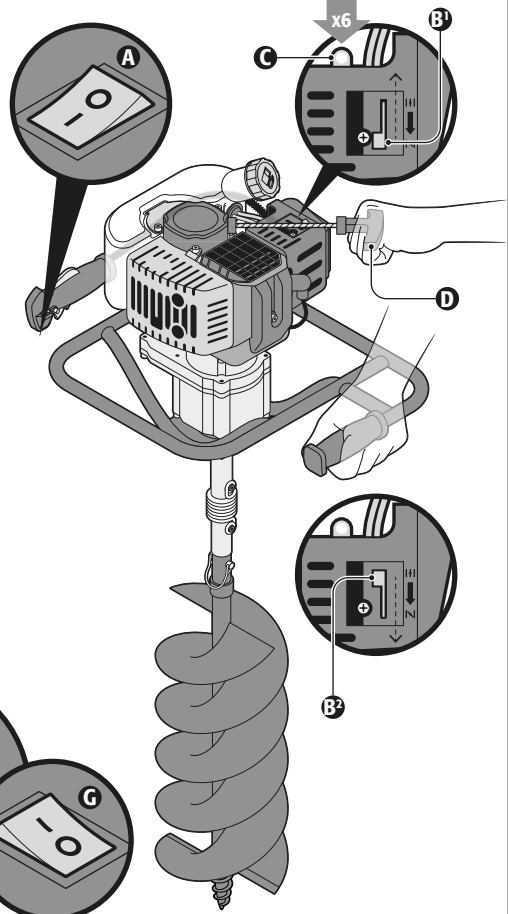


Start up

Engine startup

- Firmly grip the equipment by the auxiliary handle while positioning the drill vertically on the drilling ground.
 - Set the switch to the ON position (A).
 - If the engine is cold, move the choke lever (B¹) to the CLOSED position . Press and release the primer bulb 6 times (C) or until fuel circulates through the hoses leading to the carburetor.
 - If the engine is hot, move the choke lever (B²) to the OPEN position  and do not use the primer bulb.
- Note:** For a cold start, the choke must be in the CLOSED position, and for a hot start, the choke must be OPEN.
- Pull the starter (D) quickly to start the engine. Once the engine starts, do not release the starter; carefully return it to its initial position to avoid damage.
 - For a cold engine, after starting, move the choke lever to the OPEN position (B²).
 - Allow the engine to idle for a few seconds.
 - Hold the tool by both handles with both hands to begin work.

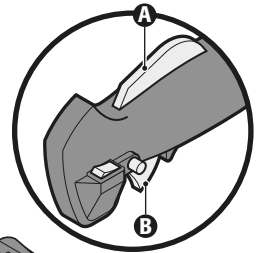
WARNING Keep both feet firmly planted on the ground and both hands holding the tool by both handles.



Engine shutdown

- Release the safety lock (E) and the throttle trigger (F).
- Set the switch to the OFF position (G).

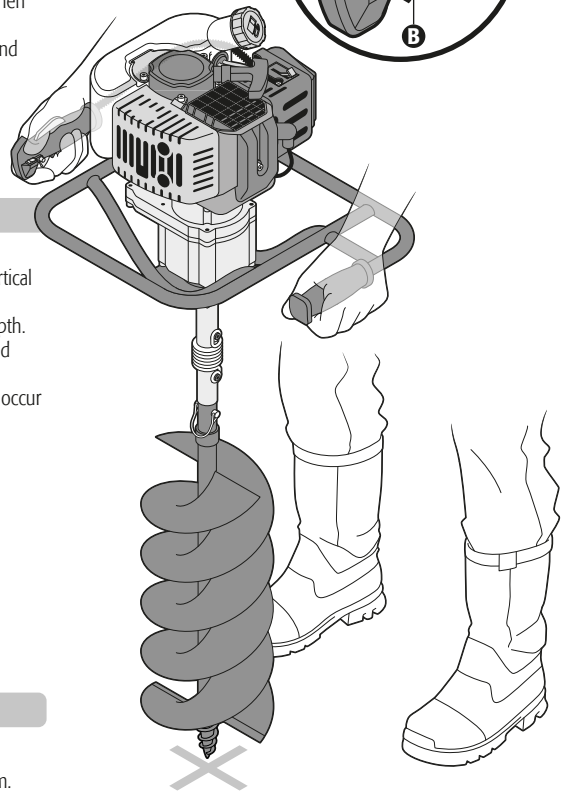
- Keep a stable posture. Separate your feet to align them with your shoulders.
- Hold the auger with both hands. Your thumbs and fingers should grip the handles to ensure a proper hold. Your right hand holds the control handle and presses the safety lock **(A)** with the palm to activate the throttle trigger **(B)**.
- Keep all parts of your body away from the auger when the engine is running.
- Place the bit at the point where you want to work and start drilling.



Drilling

- Press the throttle to start the auger spinning.
- Firmly hold the equipment by both handles in a vertical position on the ground without losing the vertical.
- Insert the auger into the ground to the required depth.
- Keep the auger rotating to remove it from the drilled hole.

⚠ CAUTION • Be alert for any kickback that may occur if the auger encounters an obstacle.



Vibration

To reduce the risk of vibration injuries:

- Wear anti-vibration gloves to keep your hands warm.
- Keep the auger blades and drill in good condition. Dull blades will increase cutting time and vibrations transmitted to your hands.
- Maintain a firm grip at all times but do not constantly grip too tightly; take frequent breaks.
- All these precautions do not eliminate the risk of vibrations-related injuries or illnesses, such as carpal tunnel syndrome. Therefore, all operators should pay attention to their hands and fingers condition. If any discomfort appears, seek for medical attention and avoid using the equipment.

- Before inspecting, cleaning, or servicing the tool, turn off the engine, wait for all moving parts to stop; disconnect the spark plug cord and separate it from the spark plug. Otherwise, you may suffer serious injuries due to accidental equipment start.

General cleaning

- Use a brush or compressed air to clean and clear the ventilation slots of the starter unit whenever necessary.
- Periodically clean the engine cylinder fins and fan fins to remove any impurities. Failure to do so may cause the engine to overheat.

Air filter cleaning

- Remove the air filter cover by loosening the cover screw.
- Remove the air filter.
- Depending on usage time, you can give the filter a superficial cleaning by tapping it lightly on a smooth, flat surface to dislodge most particles.
- Alternatively, blow the filter with compressed air from both sides.
- For a more thorough cleaning, wash the air filter in warm soapy water, rinse it, and let it dry completely before reinstalling it in.
- Reinstall the air filter, ensuring it fits securely in place.
- Clean the air filter as often as needed to keep it consistently clean; otherwise, the engine's efficiency may decrease.

Fuel filter

- Regularly check the gasoline filter.
- If the filter is dirty, it should be replaced.
- If the inside of the gasoline tank is dirty, rinse it with gasoline.

Carburetor adjustment

- It is recommended to have carburetor adjustments done at a **TRUPER** Authorized Service Center.
- Incorrect adjustment can damage the engine and void the warranty.

Tool storage

If you plan to store the tool for a month or more, consider the following:

- Drain all fuel from the fuel tank into an approved gasoline container. Any excess should be reused in another two-stroke engine equipment with a 50:1 ratio.
- Run the engine until it consumes the remaining fuel and shuts off on its own to eliminate residual fuel and prevent the formation of clumps that could damage the fuel system.
- Clean the tool thoroughly.
- Store the unit in a ventilated space, away from corrosive agents such as garden chemicals or ice-melting salts, and out of reach of children.
- Comply with all government safety regulations for handling and storing fuels.

Spark plug replacement

- The engine uses a Champion RCJ-6Y spark plug with an electrode gap of 0.63 mm (0.025"). Replace the spark plug with an identical new one once a year.
- With the engine completely cold, loosen the worn spark plug to the left with a wrench and remove it.
- Insert the new spark plug and hand-tighten it to the right.

⚠ CAUTION • Be careful not to damage the spark plug thread; otherwise, serious damage to the engine may occur.

Exhaust and muffler cleaning

- The exhaust and muffler may become clogged with carbon deposits, depending on the type of fuel, amount of oil used, and/or usage conditions. If you notice a loss of power, these deposits should be removed to restore performance. Visit a **TRUPER** Authorized Service Center to perform this service.
- The muffler is equipped with a spark arrester screen inside. After extended use, the screen becomes dirty and the muffler should be replaced. Visit a **TRUPER** Authorized Service Center to perform the replacement.

⚠ CAUTION • Continuously check that the muffler is properly secured with fasteners and that there is no damage or corrosion. If a leak is found, stop the tool and immediately take it to a **TRUPER** Authorized Service Center for repair.

Lubrication

- The inside of the gearbox is lubricated with multi-purpose lithium-based grease. Visit a **TRUPER** Authorized Service Center to replace the grease every 50 hours of use.
- Insert the new grease through the grease valves located in the gearbox.

| Periodic maintenance | After each use | Every 25 hr of use | Every 50 hr of use | Every 150 hr of use | Every 250 hr of use |
|---------------------------------------|----------------|--------------------|--------------------|---------------------|---------------------|
| General cleaning | | | | | |
| Air filter cleaning | | | | | |
| Gearbox lubrication* | | | | | |
| Carburetor cleaning* | | | | | |
| Spark plug inspection and adjustment* | | | | | |
| Fuel tank cleaning** | | | | | |
| Fuel filter replacement** | | | | | |
| Fuel hose replacement** | | | | | |
| Combustion chamber cleaning** | | | | | |

*Trained user or **TRUPER** Authorized Service Center

** **TRUPER** Authorized Service Customer Center

Troubleshooting

Problem

Cause

Solution

The engine does not start.

- No spark.
- No fuel.
- Flooded engine.
- The starter cord pulls with more difficulty than when it was new.

- Check the spark. Remove the engine cover. Take out the spark plug from the cylinder. Connect the spark plug cord and place it on the engine cylinder with its metal part touching the cylinder. Pull the starter and observe the spark at the spark plug electrode. If there is none, repeat the test with a new spark plug.
- Press the primer bulb until fuel is visible in the bulb. If fuel is not visible, it means that the primary fuel supply system is blocked. Contact a **TRUPER** Authorized Service Center. If the primer bulb fills with fuel, it indicates that the engine is flooded.
- With the ignition switch turned off, remove the spark plug. Move the choke lever up and pull the starter handle 15 to 20 times to remove excess fuel from the engine. Clean the spark plug and reinstall it. Follow the normal starting procedure (see page 8). If the engine does not start, move the choke lever down and repeat the starting procedure. If the engine still does not start, repeat the procedure with a new spark plug.
- Take the tool to a **TRUPER** Authorized Service Center.

The engine starts but does not accelerate.

- The engine requires a few minutes to warm up.

- Allow the engine to warm up completely. If the engine does not accelerate after three minutes, contact your **TRUPER** Authorized Service Center.

The engine starts but only runs at high speed with half the choke.

- The carburetor requires adjustment.

- Take the tool to a **TRUPER** Authorized Service Center.

The engine does not reach full speed and emits too much smoke.

- Check the oil/fuel mixture.
- The air filter is dirty.
- The spark arrestor screen is dirty.

- Use new fuel and the correct 2-stroke oil mixture.
- Clean the air filter. See page 10.
- Clean the spark arrestor screen as indicated on page 10.

The engine starts, runs, and accelerates but does not have idle.

- The idle screw on the carburetor needs adjustment.

- Take the machine to a **TRUPER** Authorized Service Center.

If problems persist despite performing the recommended corrective actions, contact a **TRUPER** Authorized Service Center.

In the event of any problem contacting a **TRUPER** Authorized Service Center, please see our webpage www.truper.com to get an updated list, or call our toll-free numbers **800 690-6990** or **800-018-7873** to get information about the nearest Service Center.

- AGUASCALIENTES** **DE TODO PARA LA CONSTRUCCIÓN**
GRAL. BARRAGÁN #1201, COL. GREMIAL, C.P. 20050,
AGUASCALIENTES, AGS. TEL.: 449 994 0537
- BAJA CALIFORNIA** **SUCURSAL TIJUANA**
AV. LA ENCANTADA, LOTE #5, PARQUE INDUSTRIAL EL
FLORIDO II, C.P. 22244, TIJUANA, B.C.
TEL.: 664 969 5100
- BAJA CALIFORNIA SUR** **FIX FERRETERÍAS**
FELIPE ÁNGELES ESQ. RUIZ CORTÍNEZ S/N, COL. PUEBLO
NUEVO, C.P. 23670, CD. CONSTITUCIÓN, B.C.S.
TEL.: 615 132 1115
- CAMPECHE** **TORNILLERÍA Y FERRETERÍA AAA**
AV. ÁLVARO OBREGÓN #324, COL. ESPERANZA
C.P. 24080 CAMPECHE, CAMP. TEL.: 981 815 2808
- CHIAPAS** **FIX FERRETERÍAS**
AV. CENTRAL SUR #27, COL. CENTRO, C.P. 30700,
TAPACHULA, CHIS. TEL.: 962 118 4083
- CHIHUAHUA** **SUCURSAL CHIHUAHUA**
AV. SILVESTRE TERRAZAS #128-11, PARQUE INDUSTRIAL
BAFAR, CARRETERA MÉXICO CUAUHTÉMOC, C.P. 31415,
CHIHUAHUA, CHIH. TEL.: 614 434 0052
- MEXICO CITY** **FIX FERRETERÍAS**
EL MONSTRUO DE CORREGIDORA, CORREGIDORA # 35,
COL. CENTRO, C.P. 06060, CUAUHTÉMOC, CDMX.
TEL.: 55 5522 5051 / 5522 4861
- COAHUILA** **SUCURSAL TORREÓN**
CALLE METAL MECÁNICA #280, PARQUE INDUSTRIAL
ORIENTE, C.P. 27278, TORREÓN, COAH.
TEL.: 871 209 68 23
- COLIMA** **BOMBAS Y MOTORES BYMTESA DE MANZANILLO**
BLVD. MIGUEL DE LA MADRID #190, COL. 16 DE
SEPTIEMBRE, C.P. 28239, MANZANILLO, COL.
TEL.: 314 332 1986 / 332 8013
- DURANGO** **TORNILLOS ÁGUILA, S.A. DE C.V.**
MAZURIO #200, COL. LUIS ECHEVERRÍA, DURANGO,
DGO. TEL.: 618 817 1946 / 618 818 2844
- ESTADO DE MÉXICO** **SUCURSAL CENTRO JILOTEPEC**
PARQUE INDUSTRIAL # 1, COL. PARQUE INDUSTRIAL
JILOTEPEC, JILOTEPEC, EDO. DE MÉX. C.P. 54257
TEL.: 761 782 9101 EXT. 5728 Y 5102
- GUANAJUATO** **CÍA. FERRETERA NUEVO MUNDO S.A. DE C.V.**
AV. MÉXICO - JAPÓN #225, CD. INDUSTRIAL, C.P. 38010,
CELAYA, GTO. TEL.: 461 617 7578 / 79 / 80 / 88
- GUERRERO** **CENTRO DE SERVICIO ECLIPSE**
CALLE PRINCIPAL MZ 1 LT. 1, COL. SANTA FE, C.P. 39010,
CHILPANCIÑO, GRO. TEL.: 747 478 5793
- HIDALGO** **FERREPRECIOS S.A. DE C.V.**
LIBERTAD ORIENTE #304 LOCAL 50, INTERIOR DE PASAJE
ROBLEDO, COL. CENTRO, C.P. 43600, TULANCINGO,
HGO. TEL.: 775 753 6615 / 775 753 6616
- JALISCO** **SUCURSAL GUADALAJARA**
AV. ADOLFO B. HORN # 6800, COL: SANTA CRUZ DEL
VALLE, C.P.: 45655, TLAJOMULCO DE ZUÑIGA, JAL.
TEL.: 33 3606 5285 AL 90
- MICHOACÁN** **FIX FERRETERÍAS**
AV. PASEO DE LA REPÚBLICA #3140-A, COL.
EX-HACIENDA DE LA HUERTA, C.P. 58050, MORELIA,
MICH. TEL.: 443 334 6858
- MORELOS** **FIX FERRETERÍAS**
CAPITÁN ANZURES #95, ESQ. JOSÉ PERDIZ, COL.
CENTRO, C.P. 62740, CUAUTLA, MOR.
TEL.: 735 352 8951
- NAYARIT** **HERRAMIENTAS DE TEPIC**
MAZATLAN #117, COL. CENTRO, C.P. 63000, TEPIC, NAY.
TEL.: 311 258 0540
- NUEVO LEÓN** **SUCURSAL MONTERREY**
CARRETERA LAREDO #300, 1B MONTERREY PARKS,
COLONIA PUERTA DE ANAHUAC, C.P. 66052, ESCOBEDO,
NUEVO LEÓN, TEL.: 81 8552 8791 / 81 8552 8790
- OAXACA** **FIX FERRETERÍAS**
AV. 20 DE NOVIEMBRE #910, COL. CENTRO, C.P. 68300,
TUXTEPEC, OAX. TEL.: 287 106 3092
- PUEBLA** **SUCURSAL PUEBLA**
AV. PERIFÉRICO #2-A, SAN LORENZO ALMECATLA,
C.P. 72710, CUAUHTLACINGO, PUE.
TEL.: 222 282 8282 / 84 / 85 / 86
- QUERÉTARO** **ARU HERRAMIENTAS S.A. DE C.V.**
AV. PUERTO DE VERACRUZ #110, COL. RANCHO DE
ENMEDIO, C.P. 76842, SAN JUAN DEL RÍO, QRO.
TEL.: 427 268 4544
- QUINTANA ROO** **FIX FERRETERÍAS**
CARRETERA FEDERAL MZ. 46 LT. 3 LOCAL 2, COL EJIDAL,
C.P. 77710 PLAYA DEL CARMEN, Q.R.
TEL.: 984 267 3140
- SAN LUIS POTOSÍ** **FIX FERRETERÍAS**
AV. UNIVERSIDAD #1850, COL. EL PASEO, C.P. 78320,
SAN LUIS POTOSÍ, S.L.P. TEL.: 444 822 4341
- SINALOA** **SUCURSAL CULIACÁN**
AV. JESÚS KUMATE SUR #4301, COL. HACIENDA DE LA
MORA, C.P. 80143, CULIACÁN, SIN.
TEL.: 667 173 9159 / 173 8400
- SONORA** **FIX FERRETERÍAS**
CALLE 5 DE FEBRERO #517, SUR LT. 25 MZ. 10, COL.
CENTRO, C.P. 85000, CD. OBREGÓN, SON.
TEL.: 644 413 2392
- TABASCO** **SUCURSAL VILLAHERMOSA**
CALLE HELIO LOTES 1, 2 Y 3 MZ. #1, COL. INDUSTRIAL,
2A ETAPA, C.P. 86010, VILLAHERMOSA, TAB.
TEL.: 993 355 7244
- TAMAULIPAS** **VM ORÍNGS Y REFACCIONES**
CALLE ROSITA #527 ENTRE 20 DE NOVIEMBRE Y GRAL.
RODRÍGUEZ, FRACC. REYNOSA, C.P. 88780, REYNOSA,
TAMS. TEL.: 899 926 7552
- TLAXCALA** **SERVICIOS Y HERRAMIENTAS INDUSTRIALES**
PABLO SIDAR #132, COL. BARRIO DE SAN BARTOLOMÉ,
C.P. 90970, SAN PABLO DEL MONTE, TLAX.
TEL.: 222 271 7502
- VERACRUZ** **LA CASA DISTRIBUIDORA TRUPER**
BLVD. PRIMAVERA ESQ. HORTENSIA S/N, COL.
PRIMAVERA, C.P. 93308, POZA RICA, VER.
TEL.: 782 823 8100 / 826 8484
- YUCATÁN** **SUCURSAL MÉRIDA**
CALLE 33 #600 Y 602, LOCALIDAD ITZINCAB Y MULSAY,
MPIO. UMAN, C.P. 97390, MÉRIDA, YUC.
TEL.: 999 912 2451

| Code | Model | Brand |
|--------|--------|---------|
| 103204 | AHO-52 | TRUPER® |

Warranty. Duration: 1 year. Coverage: parts, components and workmanship against manufacturing or operating defects, except if used under conditions other than normal; when it was not operated in accordance with the instructive; was altered or repaired by personnel not authorized by Truper®. To make the warranty valid, present the product, stamped policy or invoice or receipt or voucher, in the establishment where you bought it or in Corregidora 35, Centro, Cuauhtémoc, CDMX, 06060, where you can also purchase parts, components, consumables and accessories. It includes the costs of transportation of the product that derive from its fulfillment of its service network. Phone number **800-018-7873**. Made in China. Imported by Truper, S.A. de C.V. Parque Industrial 1, Parque Industrial Jilotepec, Jilotepec, Edo. de Méx. C.P. 54257, Phone number 761 782 9100.

Stamp of the business. Delivery date:





Sello del establecimiento comercial. Fecha de entrega:

Garantía. Duración: 1 año. Cobertura: piezas, componentes y mano de obra contra defectos de fabricación o funcionamiento, excepto si se usó en condiciones distintas a las normales; cuando no fue operado conforme instructivo; fue alterado o reparado por personal no autorizado por TRUPER®. Para hacer efectiva la garantía presente el producto, póliza sellada o factura o recibo o comprobante, en el establecimiento donde lo compró o en Corregidora 35, Centro, Cuauhtémoc, CDMX, 06060, donde también podrá adquirir partes, componentes, consumibles y accesorios. Incluye los gastos de transportación del producto que deriven de su cumplimiento de su red de servicio. Tel. **800-018-7873**. Made in/Hecho en China. Importador **TRUPER, S.A. de C.V.** Parque Industrial 1, Parque Industrial Jilotepec, Jilotepec, Edo. de Méx. C.P. 54257, Tel. 761 782 9100.

TRUPER
Marca

AHO-52
Modelo

103204
Código

**Póliza de
garantía**

TRUPER®

En caso de tener algún problema para contactar un Centro de Servicio Autorizado **TRUPER** consulte nuestra página **WWW.TRUPER.COM** donde obtendrá un listado actualizado, o llame al: **800 690 6990** u **800-018-7873** donde le informará cuál es el Centro de Servicio más cercano.

AGUASCALIENTES **DE TODO PARA LA CONSTRUCCIÓN** **GRAL. BARRAGÁN #1201, COL. CENTRAL, C.P. 20050.** **MORELOS** **FIX FERRERÍAS** **CAPITAL ANZURES #95, ESQ. JOSÉ PERDIZ, COL. CENTRO, C.P. 62740, CUAUTLA, MOR.**

BAYA **SUCURSAL TIJUANA** **AV. LA ENCANTADA LOTE #5, PARQUE INDUSTRIAL EL FLORIDO II, C.P. 22244, TIJUANA, B.C.** **CALIFORNIA** **FIX FERRERÍAS** **TEL.: 664 969 5100**

BAYA **FIX FERRERÍAS** **TEL.: 664 969 5100** **FELIPE ANGELES ESQ. RUIZ CORTIÑEZ S/N, COL. PUEBLO NUEVO, C.P. 25670, CD. CONSTITUCIÓN, B.C.S.** **CAMPESHE** **TORNILLERÍA Y FERRERÍA AA** **AV. ALVARO CAMPECHE, CAMP. TEL.: 981 815 2808**

CHIAPAS **FIX FERRERÍAS** **AV. CENTRAL SUR #27, COL. CENTRO, C.P. 30700, TAPACHULÁ, CHIS. TEL.: 962 118 4083** **CHIHUAHUA** **SUCURSAL CHIHUAHUA** **AV. SILVESTRE TERREZAS #128-11, PARQUE INDUSTRIAL BARR. CARRETERA MEXICO CUAUHTEMOC, C.P. 31415, CHIHUAHUA, CHIH. TEL. 614 434 0052**

MEXICO DE CIUDAD DE **FIX FERRERÍAS** **EL MONSTRUO DE CORREDIDORA, CORREDIDORA # 35, COL. CENTRO, C.P. 06060, CUAUHTEMOC, CDMX.** **COAHUILA** **SUCURSAL TORREÓN** **CALLE METAL MECÁNICA #80, PARQUE INDUSTRIAL ORIENTE, C.P. 27278, TORREÓN, COAH. TEL.: 871 209 68 25**

COLUMA **BOMBAS Y MOTORES BYMTEA DE MANZANILLO** **SEPLIMBER, C.P. 28239, MANZANILLO, COL. TEL.: 514 332 1966 / 332 8013** **DURANGO** **TORNILLAS ÁGUILA, S.A. DE C.V.** **MAZURIO #200, COL. LUIS ECHERREJA, DURANGO, DGO. TEL.: 618 817 1946 / 618 818 2844**

ESTADO DE MEXICO **SUCURSAL CENTRO JILOTPEC** **PARQUE INDUSTRIAL # 1, COL. PARQUE INDUSTRIAL JILOTPEC, JILOTPEC, EDO. DE MEX. C.P. 54257** **TEL.: 761 782 9101 EXT. 5728 Y 5102** **GUANAJUATO** **CLA, FERRERÍA NUEVO MUNDO S.A. DE C.V.** **AV. MEXICO - JAFÓN #225, CD. INDUSTRIAL, C.P. 38010, CELVA, GTO. TEL.: 461 617 7578 / 79 / 80 / 88**

GUERRERO **CENTRO DE SERVICIO EQUIPES** **CALLE PRINCIPAL NERZI LT. 1, COL. SANTA FE, C.P. 39010, CHILPANCIÑO, GRO. TEL.: 747 478 5795** **HIDALGO** **FERRERÍAS S.A. DE C.V.** **LIBERTAD ORIENTE #504 LOCAL 30, INTERIOR DE PASARIL ROBLEO, COL. CENTRO, C.P. 43600, TULANGUICO, HGO. TEL.: 775 755 6615 / 775 753 6616**

JALISCO **SUCURSAL CUADALARA** **AV. ADOLFO B. HORN # 6800, COL. SANTA CRUZ DEL VALLE, C.P.: 45665, TLAJOMULCO DE ZUÑIGA, JAL. TEL.: 33 5606 2585 AL 90** **MICHOCÁN** **FIX FERRERÍAS** **AV. PASO DE LA REPUBLICA #3140-A, COL. EX-HACIENDA DE LA HUERTA, C.P. 50850, MORELIA, MICH. TEL.: 443 334 6858**

DURANGO **TORNILLAS ÁGUILA, S.A. DE C.V.** **MEXICO DE ESTADO DE** **SUCURSAL CENTRO JILOTPEC** **PARQUE INDUSTRIAL # 1, COL. PARQUE INDUSTRIAL JILOTPEC, JILOTPEC, EDO. DE MEX. C.P. 54257** **TEL.: 761 782 9101 EXT. 5728 Y 5102**

SONORA **FIX FERRERÍAS** **CALLE DE FEBRERO #517, SUR LT. 25 MZ. 10, COL. CENTRO, C.P. 85000, CD. OBRERÓN, SON. TEL.: 644 415 2392** **TABASCO** **SUCURSAL VILLAHERMOSA** **CALLE HELO LOTES 1, 2 Y 3 MZ. #1, COL. INDUSTRIAL, 2A TAPA, C.P. 86010, VILLAHERMOSA, TAB. TEL.: 993 353 7244**

TAMAULIPAS **VM ORINGS Y REPARACIONES** **CALLE ROSITA #527, ENTRE 20 DE NOVIEMBRE Y GRAL. RODRÍGUEZ, FRACC. REVOSA, C.P. 88780, REVOSA, TAMS. TEL.: 899 926 7552** **TLAXCALA** **SERVICIOS Y HERRAMIENTAS INDUSTRIALES** **SERPIO SIDAR #132, COL. BARRIO DE SAN BARTOLOMÉ, C.P. 90970, SAN PABLO DEL MONTE, TLA. TEL.: 222 271 7502**

VERACRUZ **LA CASA DISTRIBUIDORA TRUPER** **BVD. PIMAWERA ESQ. HORTENSIA S/N, COL. PIMAWERA, C.P. 93508, POZA RICA, VER. TEL.: 782 825 8100 / 826 8484** **YUCATÁN** **SUCURSAL MÉRIDA** **CALLE 33 #600 Y 602, LOCALIDAD ITZINCAB Y MULSAY, MPIO. UTMAY, C.P. 97390, MÉRIDA, YUC. TEL.: 999 919 212 2451**

Mantenimiento

TRUPER®

| Mantenimiento periódico | Cada uso | Cada 25 h | Cada 50 h | Cada 150 h | Cada 250 h |
|--|----------|-----------|-----------|------------|------------|
| Limpieza general | | | | | |
| Limpieza filtro de aire | | | | | |
| Lubricación de la caja de engranes* | | | | | |
| Limpieza carburador* | | | | | |
| Inspección y ajuste de bujía** | | | | | |
| Limpieza de tanque de combustible** | | | | | |
| Cambio de filtro de combustible** | | | | | |
| Reemplazo de manguera de combustible** | | | | | |
| Limpieza de cámara de combustión** | | | | | |

*Usuario capacitado o Centro de Servicio Autorizado TRUPER.

**Centro de servicio Autorizado TRUPER.

Solución de problemas

Problema

Causa

Solución

El motor no arranca.

No hay chispa.

- Revise la chispa. Retire la cubierta del motor. Retire la bujía del cilindro. Conecte el cable de la bujía y colóquela sobre el cilindro del motor con su parte metálica tocando el cilindro. Tire del arrancador y observe la chispa en el electrodo de la bujía. Si no la hay, repita la prueba con una bujía nueva.
- Presione el bulbo cebador hasta que el combustible sea visible en el bulbo. Si no se ve el combustible, significa que el sistema primario de suministro de combustible está bloqueado. Contacte un Centro de Servicio Autorizado TRUPER. En caso que el bulbo cebador se llene de combustible, es señal que el motor está ahogado.
- Teniendo apagado el interruptor de encendido, retire la bujía. Mueva la palanca del ahogador hacia arriba y tire del mango del arrancador de 15 a 20 veces para eliminar el exceso de combustible del motor. Limpie la bujía y vuelva a instalarla. Siga el procedimiento de arranque normal (consulte la página 8). Si no arranca el motor, mueva la palanca del arrancador hacia abajo y repita el procedimiento de arranque. Si el motor aún no arranca, repita el procedimiento con una bujía nueva.
- Lleve la herramienta a un Centro de Servicio Autorizado TRUPER.

No tiene combustible.

- El motor está ahogado.
- La pila del arrancador jala con más dificultad que cuando nueva.
- El motor requiere de unos minutos para calentarse.
- Permita que el motor se caliente por completo. Si el motor no acelera después de tres minutos, contacte a su Centro de Servicio Autorizado TRUPER.
- Lleve la herramienta a un Centro de Servicio Autorizado TRUPER.

El motor arranca pero no acelera.

El motor arranca pero solo va a velocidad alta con la mitad del ahogador.

- Revise la mezcla de aceite / combustible.
- Limpie el filtro de aire.
- Limpie la pantalla de la guarda anti chispas como se indica en la página 10.
- Use combustible nuevo y la mezcla correcta de aceite para 2 tiempos.
- El tornillo de ralentí en el carburador necesita ajuste.
- El motor arranca, funciona y acelera pero no tiene ralentí.
- El motor no alcanza la velocidad completa y emite demasiado humo.
- La pantalla de la guarda anti chispas está sucia.
- Revise la mezcla de aceite / combustible.
- Limpie el filtro de aire.
- Limpie la pantalla de la guarda anti chispas como se indica en la página 10.
- Lleve la herramienta a un Centro de Servicio Autorizado TRUPER.

Si los problemas persisten a pesar de realizar las acciones correctivas recomendadas, contacte a un Centro de Servicio Autorizado TRUPER.

Mantenimiento

TRUPER®

- Antes de inspeccionar, limpiar o dar servicio a la herramienta, apague el motor, desconecte el cable de la bujía y separelo de la bujía. De lo contrario puede sufrir lesiones de gravedades debido a un encendido accidental del equipo.

Limpienza general

- Con un cepillo o aire comprimido limpie y despegue las ranuras de ventilación de la unidad del arrancador cada vez que sea necesario.
- De la misma forma limpie periódicamente las aletas del cilindro del motor y las aletas del ventilador para retirar cualquier impureza. De no hacerlo el motor puede dañarse debido a un recalentamiento.

Limpienza del filtro del aire

- Retire la tapa del filtro de aire aflojando el tornillo que fija la cubierta de aire.
- Retire el filtro del aire.
- Dependiendo del tiempo de uso puede dar al filtro una limpienza superficial con sólo golpearlo ligeramente contra una superficie lisa y plana para desalojar la mayoría de las partículas.
- También puede sopletear el filtro con aire comprimido, hágalo por ambos lados.
- O para una limpienza más completa limpie el filtro del aire en agua jabonosa tibia, enjuáguelo y déjelo secar por completo antes de instalarlo de nuevo en la herramienta.
- Realice la limpienza del filtro de aire tan frecuentemente como sea necesario para mantenerlo siempre limpio, de lo contrario la eficiencia del motor puede disminuir.

Filtro de combustible

- Revise el filtro de gasolina con frecuencia.
- Si el filtro está sucio debe ser reemplazado.
- Si el interior del tanque de gasolina está sucio, enjuáguelo con gasolina.

Ajuste del carburador

- Se recomienda hacer los ajustes del carburador en un Centro de Servicio Autorizado **TRUPER**.
- Un ajuste incorrecto puede dañar el motor e invalidar la garantía.

Almacenamiento de la herramienta

- En caso de que almacene la herramienta durante un mes o más, tome en cuenta las siguientes consideraciones:
- Drene todo el contenido del tanque de combustible en un recipiente de uso aprobado para gasolina. Todo el sobrante debe reutilizarse en otro equipo con motor de dos tiempos con proporción de 50:1.
- Ponga a funcionar el motor hasta que consuma el resto del combustible y se apague por sí mismo. Así eliminará el combustible residual y evitara que se formen gomas que podria dañar el sistema de combustible.
- Limpie la herramienta por completo.
- Almacene la unidad en un espacio ventilado, apartado de agentes corrosivos como productos químicos para jardín o sales para derretir hielo y lejos del alcance de los niños.
- Cumpla con todos los reglamentos gubernamentales de seguridad en el manejo y almacenamiento de combustibles.

Cambio de la bujía

- El motor utiliza una bujía Champion RC-6Y con una separación de electrodos de 0.63 mm (0.025"). Reemplace la bujía por otra igual una vez al año.
- Con el motor totalmente frío, afloje la bujía gastada hacia la izquierda con una llave y retírela.
- Inserte la bujía nueva y aprétela con la mano hacia la derecha.
- **ATENCIÓN** • Tenga cuidado de no estropear la rosca de la bujía, de lo contrario resultaría seriamente dañado el motor.

Limpienza del escape y del silenciador

- El escape y el silenciador se pueden tapar con depósitos de carbón, dependiendo del tipo de combustible, la cantidad de aceite utilizada y/o las condiciones es las que se utiliza la herramienta. Si nota pérdida de potencia se deberán retirar esos depósitos para restaurar el desempeño. Acuda a un Centro de Servicio Autorizado **TRUPER** para realizar este servicio.
- El silenciador está equipado con una pantalla anti chispas dentro del silenciador. Después de usarse por largos periodos de tiempo la pantalla se ensucia y se debe reemplazar el silenciador. Acuda a un Centro de Servicio Autorizado **TRUPER** para realizar el reemplazo.
- **ATENCIÓN** • Revise constantemente que el silenciador tenga debidamente asegurados los sujetadores y que no existan daños o corrosión. En caso de encontrar una fuga detenga la herramienta y llévela de inmediato a un Centro de Servicio Autorizado **TRUPER** para su reparación.

Lubricación

- El interior de la caja de engranes está lubricado con grasas para usos múltiples con base de litio. Acuda a un Centro de Servicio Autorizado **TRUPER** para reemplazar la grasas cada 50 horas de uso.
- Introduzca la grasa nueva por las valvulas de engrase ubicadas en la caja de engranes.

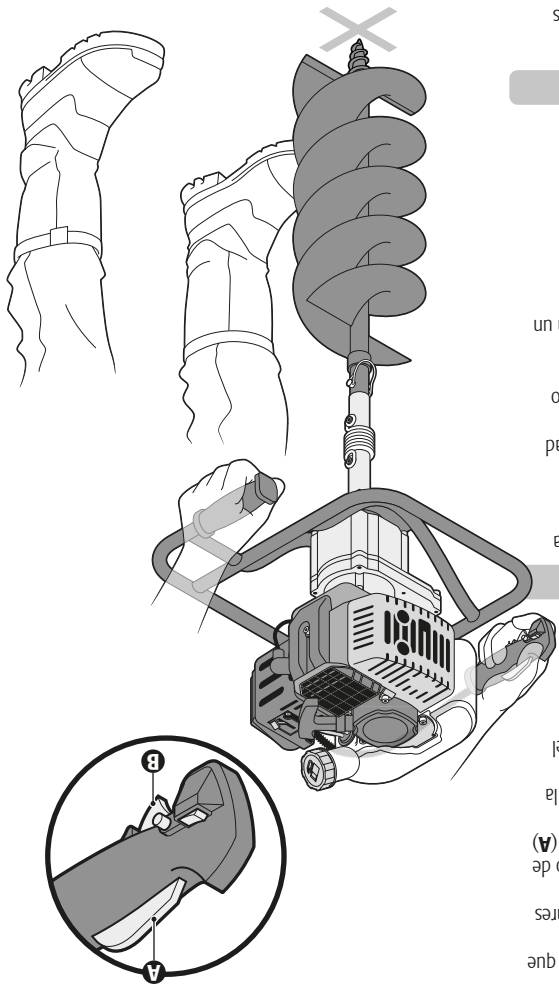
- Mantenga una postura estable. Separe sus pies para que queden alineados con sus hombros.
- Sostenga la ahoyadora con ambas manos. Sus pulgares y dedos deben rodear los mangos para asegurar un agarre adecuado. La mano derecha sostiene el mango de control y con la palma de la mano presiona el seguro (A) para poder activar el gatillo acelerador (B).
- Mantenga todas las partes de su cuerpo alejadas de la barrena cuando el motor esté en marcha.
- Coloque la braca en el punto donde desee realizar el trabajo y comience a perforar.

Perforación

- Apriete el acelerador para que la barrena comience a girar.
- Sostenga firmemente el equipo por sus mangos en posición vertical sobre el suelo sin perder la verticalidad.
- Introduzca la barrena en el suelo hasta la profundidad requerida.
- Mantenga la barrena girando para sacar la barrena del agujero que acaba de perforar.
- **¡ATENCIÓN!** • Esté atento ante cualquier contragolpe que pueda ocurrir si la barrena encuentra un obstáculo.

Vibración

- Para reducir el riesgo de lesiones por vibración:
 - Use guantes anti vibración para mantener sus manos calientes.
 - Mantenga afiladas las cuchillas de la barrena y la ahoyadora en buenas condiciones. Unas cuchillas desafiladas aumentará el tiempo de corte y las vibraciones transmitidas a sus manos.
 - Mantenga un agarre firme en todo momento, pero no apriete demasiado constantemente, tome descansos frecuentes.
 - Todas estas precauciones no eliminan el riesgo de lesiones o enfermedades relacionadas con las vibraciones, como el síndrome del túnel carpiano. Por lo tanto, todos los operadores deben poner atención en el estado de sus manos y dedos. Si aparece algún tipo de molestia, consulte a un médico y evite el uso del equipo.



Ensamblado

Conexión del eje

- Coloque el equipo sobre el suelo como se muestra en la imagen

- Inserte el eje (A) al amortiguador (B) y el amortiguador a

la barra (C).

Nota: Haga coincidir el orificio de la flecha con el del

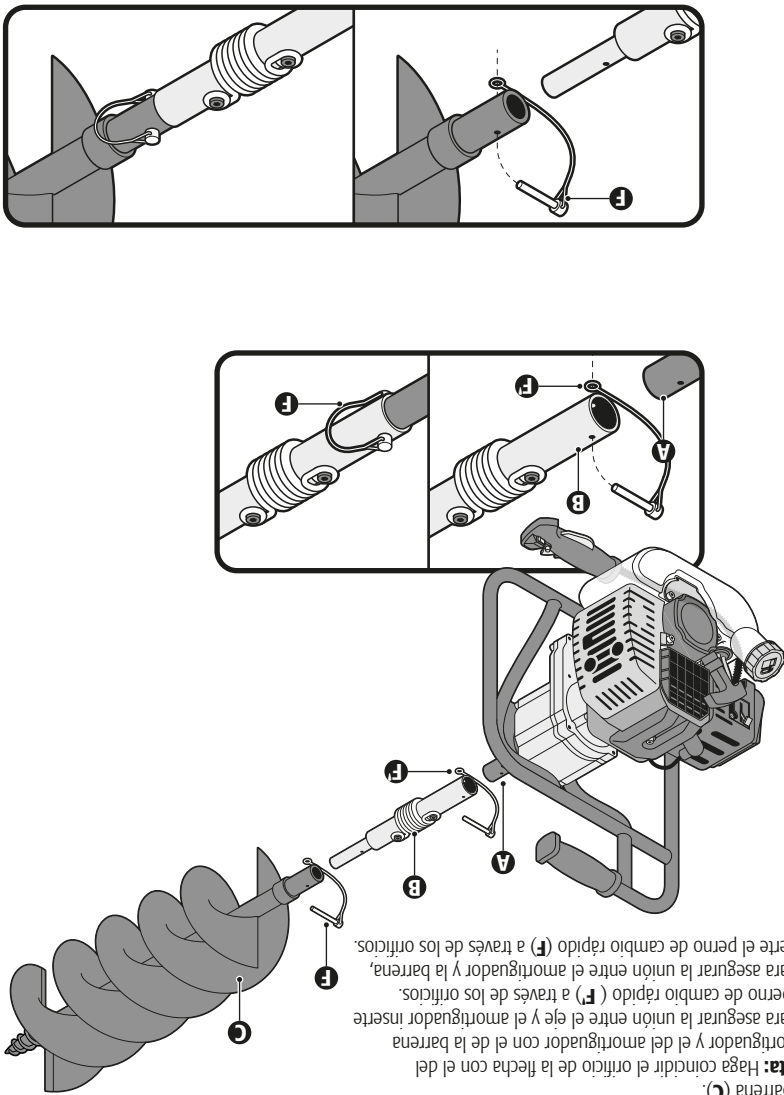
amortiguador y el del amortiguador con el de la barra

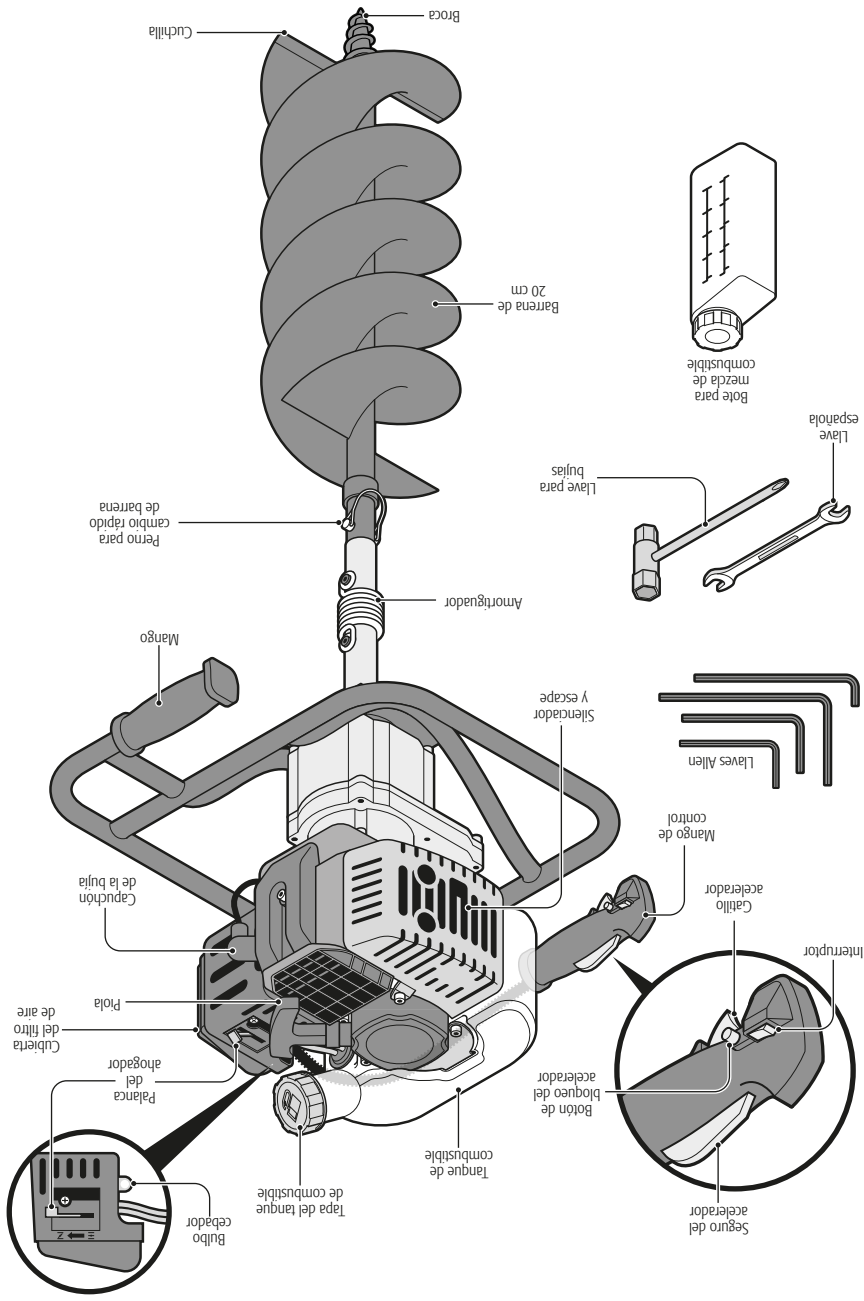
amortiguador y el eje y el amortiguador inserte

el perno de cambio rápido (F) a través de los orificios.

• Para asegurar la unión entre el amortiguador y la barra,

inserte el perno de cambio rápido (F) a través de los orificios.





Partes

Normas de Seguridad

para uso de ahoyadoras

Manejo de combustible

- Nunca fume cerca del combustible, ni de la zona en donde se abastezca de la gasolina, ni donde prepare la mezcla con el aceite, ni al operar el equipo.
- Para reducir el riesgo de incendio o quemaduras maneje el combustible con cuidado, es muy inflamable.
- No permita que la gasolina o el aceite tengan contacto con la piel.
- Protéjase los ojos para evitar salpicaduras de la gasolina y el aceite. En caso de contacto accidental lávelos inmediatamente con agua limpia. Si persiste la irritación acuda a un médico.
- Mezcle y almacene el combustible en un recipiente diseñado para tal fin.



ADVERTENCIA • Mezcle el combustible al aire libre lejos de cualquier chispa o llama.

ADVERTENCIA • Antes de reabastecer el equipo de combustible apague el motor, colóquelo en suelo despejado y espere a que el motor se enfríe.

ATENCIÓN • Limpie todo el combustible que pueda haber caído en el equipo antes de operar.

ATENCIÓN • Revise si hay fugas de combustible, de ser así corrijalas antes de usar el equipo, para evitar incendios o lesiones por quemadura.

• Aleje el equipo por lo menos 9 metros (30 pies) del lugar de carga de combustible antes de arrancar el motor.

• Bajo ninguna circunstancia quemar el combustible derramado para el fin.

• Por ningún motivo utilice cualquier otro tipo de combustible que el especificado para el equipo en este instructivo.

Antes de operar el equipo

• Equipese con ropa adecuada para operar el equipo: ropa ajustada, pantalones gruesos, botas de seguridad, antiestaticantes, guantes protectores para trabajo pesado, y anteojos de seguridad con protección lateral bajo la norma ANSI Z87.1.



ADVERTENCIA • Retire cualquier accesorio o ropa hojagada que pueda ser atrapado por la barra en movimiento. Recoja el cablelo para que quede por arriba del nivel de los hombros.

• Asegúrese de que el equipo se encuentre en perfectas condiciones. No lo encienda si se encuentra mal ajustado o no está armado completamente de manera que funcione de forma segura o el tanque de combustible presente alguna fuga o tiene algún tornillo flojo.

• Asegúrese de que la barra deje de moverse cuando se suelte el gatillo del acelerador. En caso de que no se detenga apague el equipo y acuda a un Centro de Servicio Autorizado **TRUPER** para solucionar el problema.

• Asegúrese de que el área de trabajo se encuentre en una área abierta y bien ventilada.

• Asegúrese de que el equipo se encuentre limpio, seco y libre de aceite o combustible.

Después de operar el equipo

ADVERTENCIA • Mantenga alejado el equipo de materiales inflamables. Silenciador, puede producirle una quemadura seria.

• Mantenga todas las partes del cuerpo alejadas del equipo más arriba de sus hombros.

• Siempre mantenga la barra apuntando hacia abajo, por debajo del nivel de su cintura y jamás la levante el equipo cuando esté funcionando el motor.

• Mantenga todas las partes del cuerpo alejadas de la operadora, y demás personas presentes.

• Siempre mantenga la barra apuntando hacia abajo, de lo contrario pueden resultar lesionados el mano, de lo contrario pueden resultar lesionados el equipo por los mangos, jamás lo opere con una sola firmeza en el piso y ambas manos sujetando el firmemente en el piso y ambas manos apoyados

ADVERTENCIA • Mantenga ambos pies apoyados algún objeto antes de arrancar el motor.

• Asegúrese de que la barra no esté en contacto con animales alejados, a no menos de 15 m de distancia.

Al operar el equipo

• Mantenga a los transeúntes, niños y animales alejados, a no menos de 15 m de distancia.

• Asegúrese de que la barra no esté en contacto con algún objeto antes de arrancar el motor.

ADVERTENCIA • Mantenga ambos pies apoyados firmemente en el piso y ambas manos sujetando el equipo por los mangos, jamás lo opere con una sola mano, de lo contrario pueden resultar lesionados el equipo por los mangos, jamás lo opere con una sola firmeza en el piso y ambas manos sujetando el firmemente en el piso y ambas manos apoyados

• En temperaturas extremas revise que no hayan formaciones de hielo o condensación en el equipo.

• La visibilidad y condiciones de luz deben ser adecuadas para ver claramente, de lo contrario no utilice el equipo.

• No use el equipo sin las guardas, o si éstas presentan algún daño o no cuentan con todas sus partes.

Después de operar el equipo

ADVERTENCIA • No intente detener el movimiento giratorio de la barra en ninguna otra forma que soltando el interruptor. Espere a que se detenga si mismo después de apagar el equipo, esto demorará unos cuantos segundos.

ATENCIÓN • Siempre traslade el equipo con el motor apagado, y con el silenciador alejado del cuerpo. Antes de subirlo a un vehículo vacíe el tanque de combustible.

ADVERTENCIA • Apague el motor antes de poner en reposo el equipo. NO deje el motor funcionando sin prestarle atención. Deje que se enfríe antes de almacenar el equipo.

ATENCIÓN • El servicio y reparación del equipo deberá ser realizado sólo por personal altamente capacitado acuda a un Centro de Servicio Autorizado **TRUPER**.

Normas de Seguridad para uso de herramientas motorizadas

⚠ ATENCIÓN Usar protección para los ojos, mascarillas antipolvo, zapatos de seguridad antibalanzantes, casco, protección para los oídos y guantes de seguridad, reducir considerablemente el riesgo de lesiones.



⚠ ADVERTENCIA Apague el equipo antes de hacer ajustes, cambiar sus accesorios o guardarla.

⚠ ADVERTENCIA Asegúrese de que el interruptor del equipo esté en posición de apagado.

⚠ ADVERTENCIA De hacerlo se expone a lesiones personales graves, repárela inmediatamente en un Centro de Servicio Autorizado **TRUPER**.

⚠ ATENCIÓN No sobre extienda su campo de acción.

⚠ ATENCIÓN Un buen apoyo y equilibrio permiten un mejor control del equipo en situaciones inesperadas.

⚠ ADVERTENCIA Evite incendios accidentales.

Aségurese de que el motor del equipo esté apagado antes de dejarlo o darle mantenimiento.

⚠ PELIGRO Retire cualquier llave de ajuste antes de encender el equipo.

Herramientas adicionales o llaves colocadas en una pieza giratoria del equipo puede provocar lesiones personales graves.

⚠ ATENCIÓN Dele mantenimiento al equipo y cerciórese que se encuentra en condiciones óptimas antes de utilizarlo.

Revise cuidadosamente sus partes móviles, su alineación y montaje. Hágalo periódicamente. Busque cualquier elemento dañado o pieza que no funcione adecuadamente para su inmediata reparación en un Centro de Servicio Autorizado **TRUPER**.

⚠ ATENCIÓN Accesorios.

Utilice sólo los accesorios o relaciones indicados en este instructivo o certificados por **TRUPER**.

⚠ PELIGRO Nunca deje el equipo en marcha sin supervisión.

Apague el equipo después de operarla y antes de colocarla en un lugar seguro para evitar accidentes graves.

⚠ PELIGRO Nunca tume cerca del combustible.

No tume cerca de la zona en donde se abastezca de combustible, ni al operar el equipo.

⚠ ATENCIÓN Mantenga su área de trabajo limpia, ordenada y bien iluminada.

Áreas desordenadas y oscuras pueden provocar accidentes.

⚠ PELIGRO Nunca utilice el equipo en ambientes explosivos, o en presencia de líquidos inflamables.

Aleje el equipo al menos 9 metros (30 pies) del lugar de reargas de combustible antes de arrancar el motor.

⚠ ADVERTENCIA Mantenga a los niños y a otras personas a una distancia segura mientras utiliza el equipo.

Las distracciones pueden hacerle perder el control y provocar accidentes.

⚠ PELIGRO Evite hacer contacto con líneas y circuitos eléctricos.

Ubique y evite todas las líneas y circuitos eléctricos, especialmente el cableado oculto.

Así como cualquier objeto conectado a tierra.

⚠ ATENCIÓN Este siempre alerta, sea prudente y utilice el sentido común.

No deje que la familiaridad con el uso del equipo lo distraiga mientras lo utiliza.

Esto puede provocar accidentes.

⚠ PELIGRO No utilice el equipo si está cansado, o bajo la influencia de drogas, alcohol o medicamentos.

Un momento de distracción mientras utiliza el equipo puede provocar lesiones personales graves.

Utilice el equipo con sus guardas y protectores en su lugar y en buen estado.

⚠ ADVERTENCIA De no hacerlo se expone a lesiones personales graves.

⚠ ATENCIÓN Nunca fuerce el equipo.

Trabajar dentro del rango para el que fue diseñado asegura un mejor trabajo y es más seguro.

Guarde el equipo en un lugar seguro fuera del alcance de los niños.

⚠ ADVERTENCIA Los equipos motorizados son peligrosos en manos inexpertas.

Utilice la indumentaria adecuada.

La ropa, joyas o cabello largo pueden ser atrapados por las piezas móviles.

Mantenga las manos alejadas de las partes giratorias y/o móviles.

⚠ ADVERTENCIA De no hacerlo se expone a lesiones personales graves.

No utilice el equipo en espacios encerrados.

⚠ PELIGRO Para evitar respirar la acumulación de monóxido de carbono, gas inodoro tóxico y potencialmente mortal.

Especificaciones técnicas

TRUPER®

AHO-52

103204

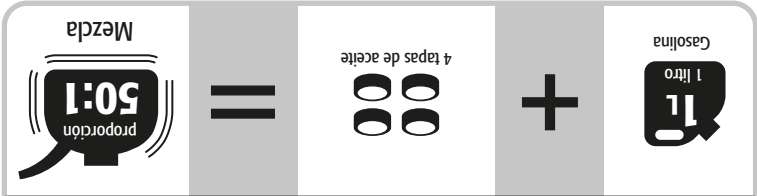
| | |
|----------------------------|---|
| • Código | 103204 |
| • Descripción | Ahoyadora a gasolina |
| • Potencia del motor | 2 Hp (1500 W) |
| • Desplazamiento del motor | 52 cm ³ (cc) |
| • Tanque de combustible | 1.2 L (40 oz) |
| • Diámetro de la barra | 20 cm (8") |
| • Longitud de la barra | 55 cm (21") |
| • Velocidad | 7000 r/min (RPM) |
| • Ciclo de trabajo | 30 minutos de descanso por cada tanque consumido. Máximo diario 6 horas. |

Especificaciones de combustible

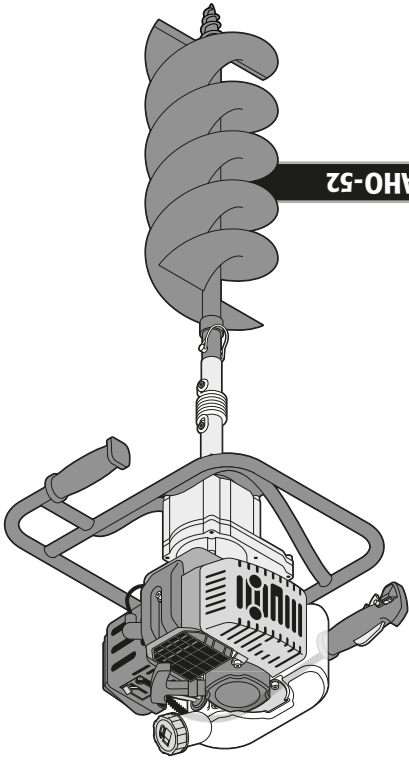
- El equipo tiene un motor de 2 tiempos entrado por aire que utiliza una mezcla de gasolina sin plomo y aceite automéztan-te de alta calidad con estabilizador de combustible especificado para motor de dos tiempos entrado por aire.
- El motor está certificado para funcionar con gasolina sin plomo para vehículos con un octanaje de 87 (R+M)/2 o más.
- No use ningún tipo de gasolina premezclada con aceite adquirida en gasolineras, como la destinada a motocicletas.
- No use aceite de uso automotor ni aceite para motores fuera de borda de 2 tiempos.
- La relación de la mezcla debe de ser de 50 tantos de gasolina por 1 de aceite (proporción 50:1). Prepare la mezcla en un recipiente aprobado para gasolina. Siempre mezcle bien antes de verterlo en el tanque del motor.
- No utilice mezcla de combustible almacenada durante mas de 15 días. Haga la mezcla en pequeñas cantidades.
- **¡ATENCIÓN!** No utilice mezcla de combustible almacenada durante mas de 15 días. Haga la mezcla en pequeñas cantidades.
- **¡ADVERTENCIA!** Nunca fume cerca del combustible, ni de la zona en donde se abastezca de la gasolina, ni donde prepare la mezcla con el aceite, ni al operar el equipo.
- **¡ADVERTENCIA!** Cualquier intento de arrancar el equipo sin añadirle aceite a la mezcla de combustible provocará fallas en el motor.

Utilice la tapa de los aceites** ACES-2, ACES-5 o ACES-20 TRUPER EXPERT como medida para preparar la mezcla. Mezcle 4 tapas de aceite con cada litro de gasolina.

¡Una mezcla incorrecta puede provocar que el equipo se desbale, ocasionando costosas reparaciones!



Para alargar la vida útil del motor use aceite sintético TRUPER EXPERT para motores de dos tiempos.
* 1 galón = 3,78 litros
** No incluidos



Los gráficos de este instructivo son para referencia, pueden variar del aspecto real de la herramienta.
 Guarde este instructivo para futuras referencias.

Para poder sacar el máximo provecho de la herramienta, hacer válida la garantía en caso de ser necesario y evitar riesgos o lesiones fatales, es fundamental leer y comprender este instructivo por completo antes de usar la herramienta.

ATENCIÓN

- 3 Especificaciones técnicas
- 3 Especificaciones de combustible
- 4 Normas de Seguridad para uso de herramientas motorizadas
- 5 Normas de Seguridad para uso de ahoyadoras
- 6 Partes
- 7 Ensamblado
- 8 Abastecimiento de combustible
- 8 Encendido
- 9 Operación
- 10 Mantenimiento
- 11 Solución de problemas
- 12 Notas
- 13 Centros de Servicio Autorizados
- 14 Póliza de Garantía

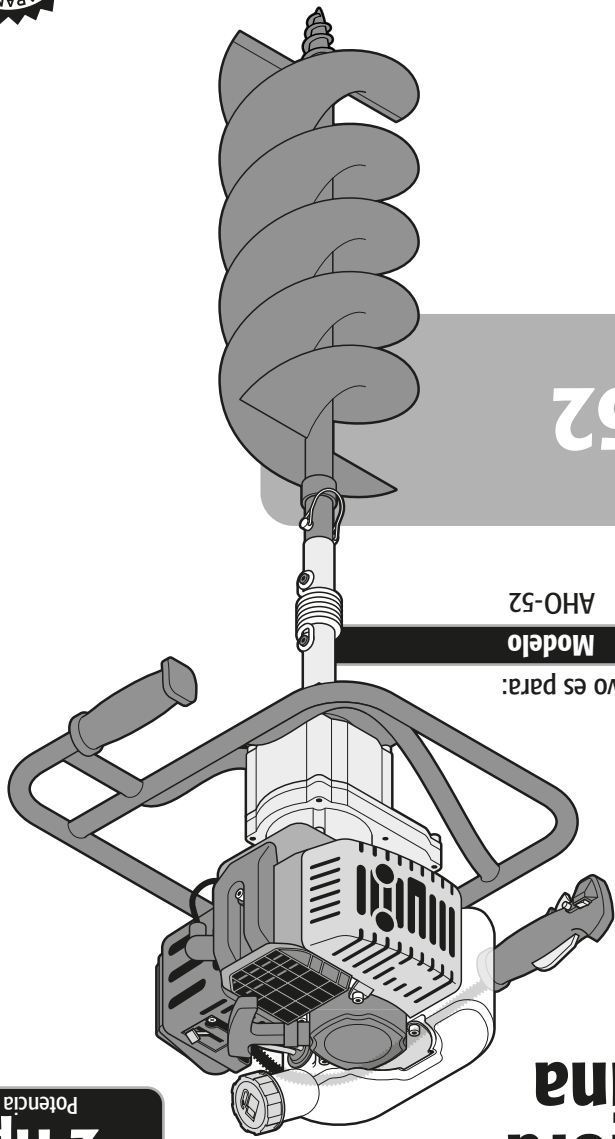


Lea este instructivo por completo antes de usar la herramienta.



ATENCIÓN

AHO-52



Este instructivo es para:
Código 103204
Modelo AHO-52

Instructivo de
Ahoyadora a gasolina

Potencia
2 Hp
1 500 W

TRUPER[®]

ESPAÑOL
ENGLISH